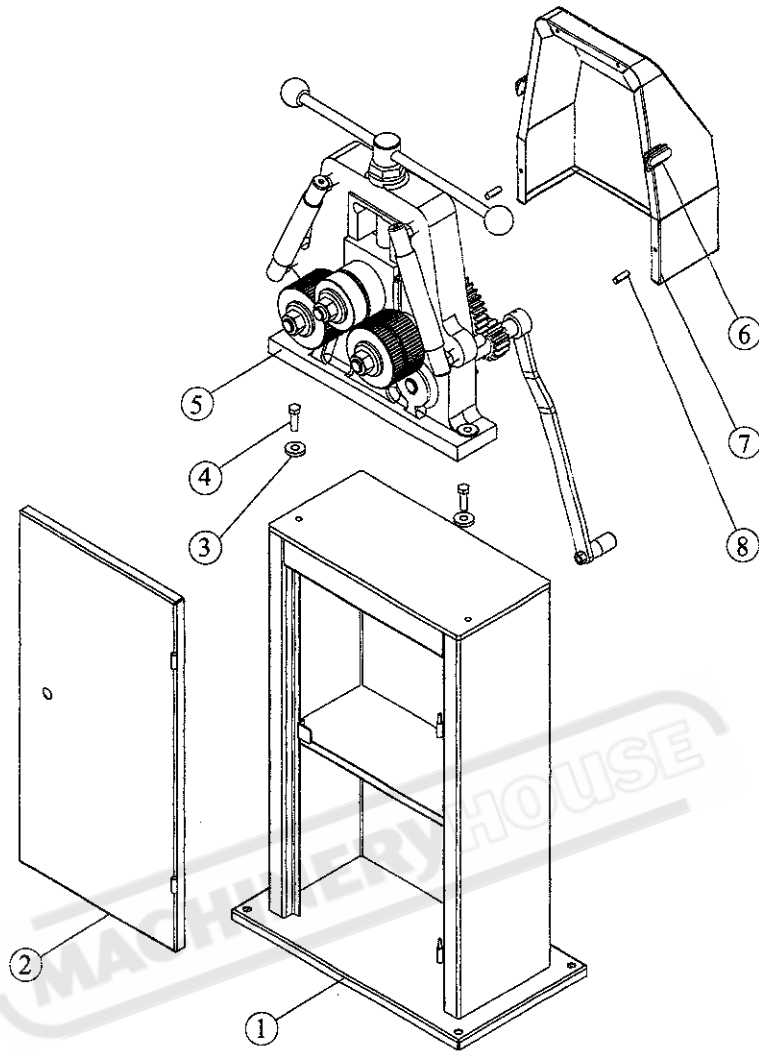
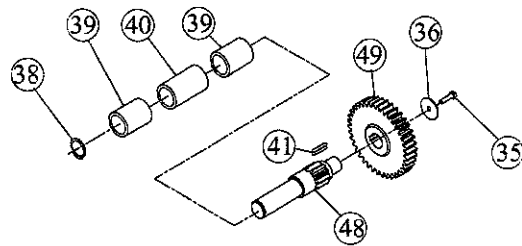


PARTS LIST

Part No.	Description	Qty	Part No.	Description	Qty
1	Stand	1	30	Middle bedding slide	2
2	Door	1	31	Lower roll	1
3	Washer 12	2	32	Bearing bushing	2
4	Bolt M12x45	2	33	Washer	3
5	Body	1	34	Nut M24	3
6	Lock buckle	2	35	Bolt M8x30	4
7	Shield	1	36	Washer	3
8	Spring pin 6x35	4	37	Main gear	2
9	Body	1	38	Retaining ring 35	4
10	Nut M36	1	39	Graphite bearing(1)	8
11	Bolt M5x10	4	40	Graphite bearing(2)	2
12	Side guide joint	4	41	Graphite bearing(2)	2
13	Side guide bolt	4	42	Key 8x30	4
14	Bearing	4	43	Key 8x63	2
15	Powering gear shaft	2	44	Lower roll	2
16	Side guide shaft	2	45	Middle gear shaft	1
17	Lever ball M12x50	4	46	Middle gear	1
18	Rotating lever	1	47	Washer	1
19	Turning shaft	1	48	Lower gear shaft	1
20	Bolt M12x30	1	49	Gear	1
21	Washer	1	50	Washer 25	1
22	Bolt	1	51	Graphite bearing(1)	2
23	Bolt M10x60	4	52	Graphite bearing(2)	1
24	Top roll shaft	1	53	Turning hand lever	1
25	Middle bedding	1	54	handle	1
26	Bolt M5x10	1	55	Bolt M6x12	1
27	Nut M8	4	56	Nut M12	1
28	Bolt M8x25	4	57	Hand bar holder	1
29	Finger	1	58	Scale	1



III



IV

